

UU Series

Wall Mount AC/DC Adaptor

10W Series



▲ UU111



▲ UU311



▲ UUE311



▲ UUZ311



▲ UUK311



▲ UUA311



▲ UUR311



▲ UUL311



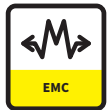
▲ UUF311



▲ UUG311



Please contact our sales department for safety standard of each model.



Product Highlights

- Ultra small size
- Light weight
- Energy efficiency
- Suit MP3 player, Portable GPS, PDA, Musical & Network devices

Efficiency

- Meet : COMMISSION REGULATION (EU) 2019/1782 (ERP 6)& DOE 6

Immunity

- EN55024/A1:2001

Protection

- Short circuit protection
- Over Voltage Protection
- Over Current Protection

Emissions

- FCC Part15 Class B ICES-003
- CE CISPR 32 Class B
- VCCI Class B

Safety Approvals

- UL62368
- UL60950
- CAN/CSA C22.2 NO. 62368
- CAN/CSA C22.2 NO. 60950
- IEC/EN62368-1
- IEC/EN60950-1
- PSE

Electrical Spec Absolute Maximum Rating

Input					
Description	Min	Typ	Max	Units	Comment
Voltage	90	100~240	264	Vac	
Frequency	47	50/60	63	Hz	

Environmental					
Description	Min	Typ	Max	Units	Comment
Operating Temperature	0	-	40	°C	Free Convection,Sea level
Storage Temperature	-20	-	65	°C	Free Convection,Sea level
Operating Humidity	5	-	95	%RH	No Condensing
Storage Humidity	5	-	95	%RH	No Condensing

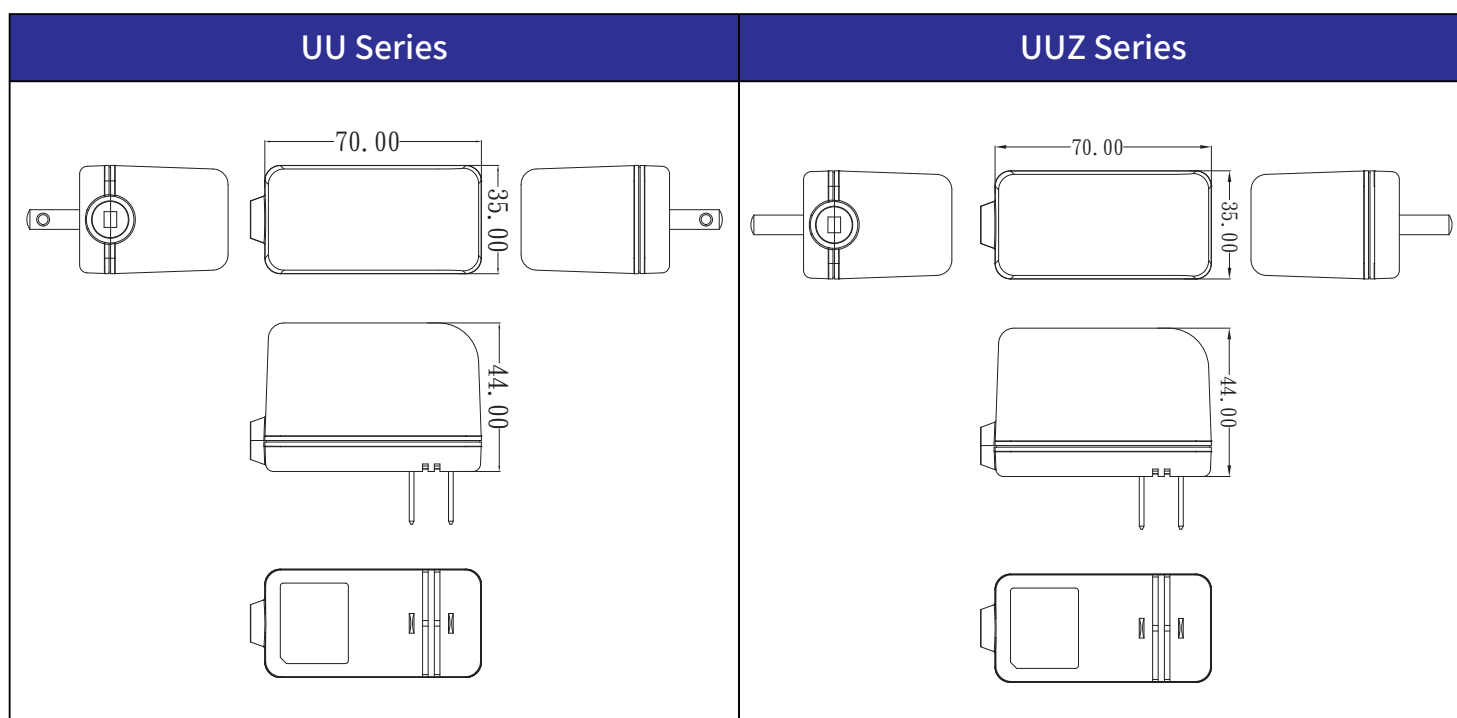
Typical model list

Input Condition	DC Output Voltage	DC Output Current	Output Voltage Precision	Ripple	Noises	Regulation		Average active efficiency	Efficiency at low load (10%)	No-load power consumption	Option/Remark
						Line	Load				
Input Voltage: 90V-264Vac Frequency: 47-63Hz	1	5.0V	2.0A	±5%	150mV	200mV	2%	10%	78.70%	-	0.1W
	2	7.5V	1.6A	±5%	200mV	300mV	2%	10%	82.58%	-	0.1W
	3	9.0V	1.3A	±5%	200mV	300mV	2%	10%	82.83%	-	0.1W
	4	9.5V	1.0A	±5%	200mV	300mV	2%	10%	81.65%	-	0.1W
	5	12.0V	1.0A	±5%	200mV	300mV	2%	10%	82.96%	-	0.1W
	6	15.0V	0.8A	±5%	200mV	300mV	2%	10%	82.96%	-	0.1W
	7	24.0V	0.5A	±5%	240mV	480mV	2%	10%	82.96%	-	0.1W

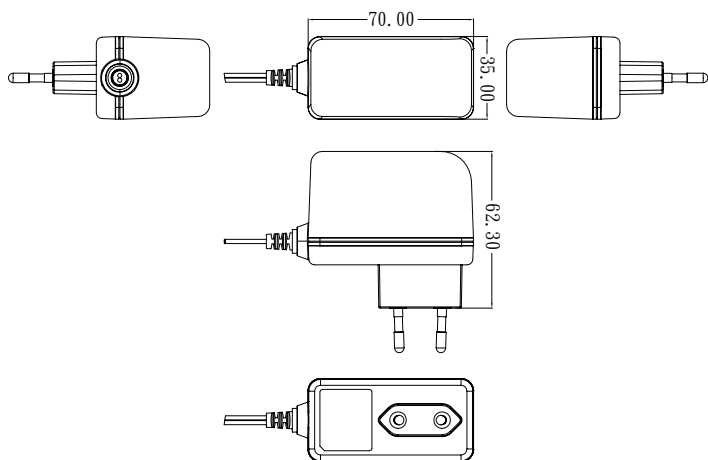
■ Measurement condition

1. Measurements shall be made with an oscilloscope with 20MHz bandwidth.
2. Outputs shall be bypassed at the connector with a 0.1uF ceramic disk capacitor and a 10uF electrolytic capacitor to simulate system loading.

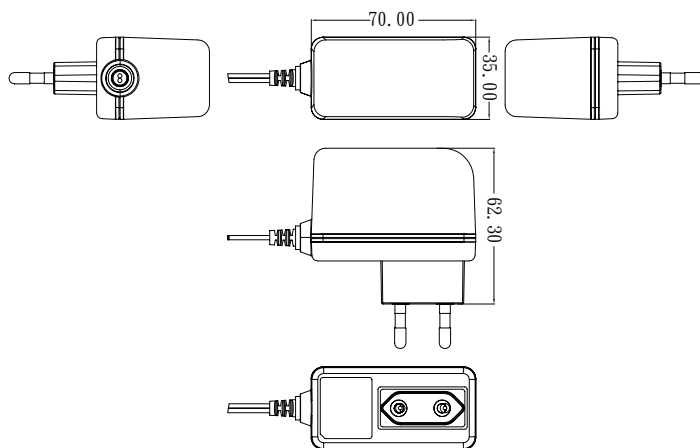
Mechanical Spec



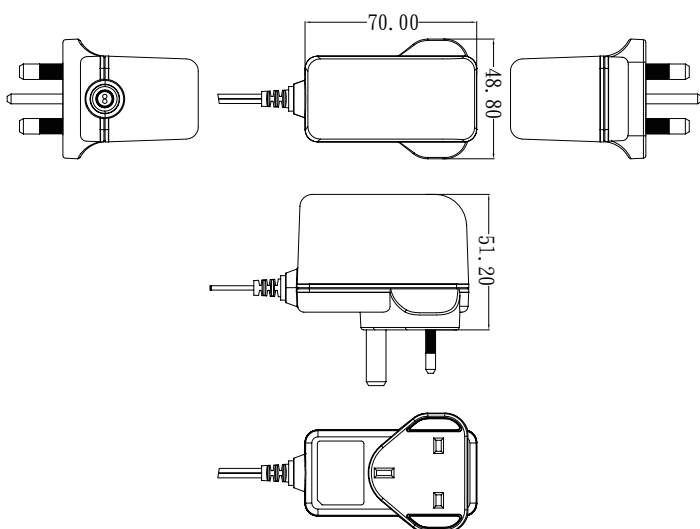
UUE Series



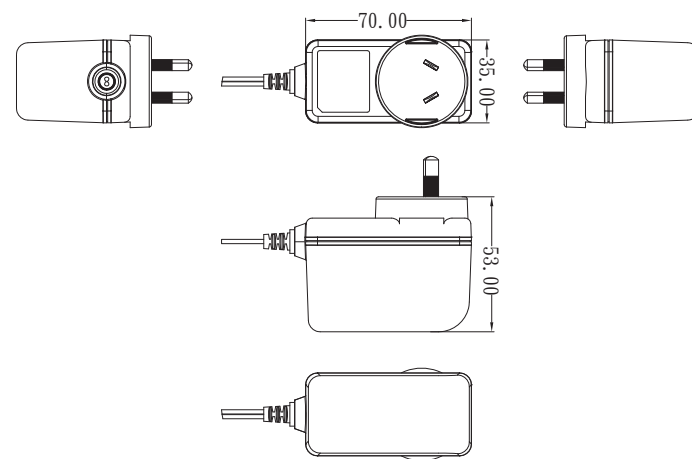
UUR Series



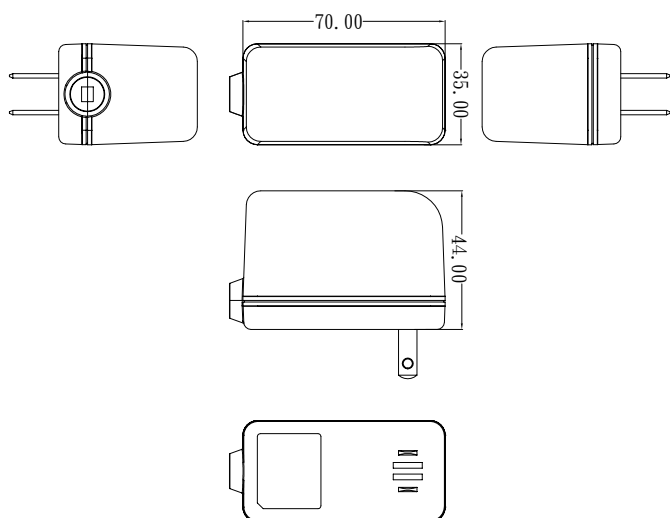
UUK Series



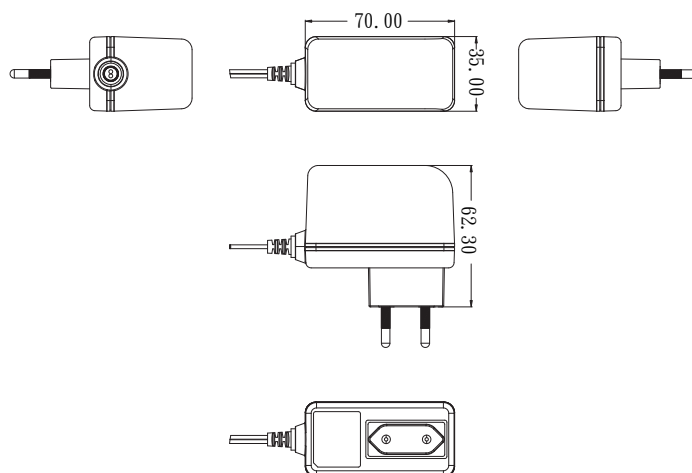
UUA Series



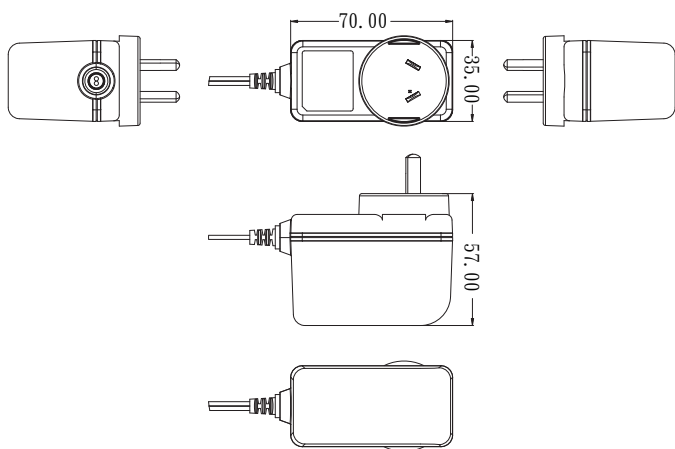
UUL Series



UUF Series



UUG Series



the following blank

■ Please contact our sales department for details of each model ■